

## 2MP 30x IR Network PTZ Dome Camera

SECPT2X30

### Key Features

#### Optics

- 30X Optical Zoom
- Accurate and fast focusing
- Smart IR, up to 150m (492ft) IR distance
- Optical glass window with higher light transmittance
- IR anti-reflection window to increase the infrared transmittance
- 120dB true WDR

#### Compression

- Ultra 265, H.265, H.264, MJPEG
- Triple streams
- Customized OSD

#### Network

- ONVIF Conformance

#### Structure

- Innovative snow-removing functionality
- More effective heat dissipation system
- intelligent temperature control technology
- 6KV surge protection designed for network interface



## Specifications

Camera		SECPT2X30				
Sensor	1/2.8", 2.0 megapixel, progressive scan, CMOS					
Lens	4.5 ~ 135mm, AF automatic focusing and motorized zoom lens					
Digital Zoom	16					
Optical Zoom	30					
DORI Distance	Lens (mm)	Detect (m)	Observe (m)	Recognize (m)	Identify (m)	
	4.5	69.8	27.9	14	7	
	135	2094.8	837.9	419	209.5	
Angle of View (H)	56.7° ~ 2.28°					
Angle of View (V)	31.89° ~ 1.28°					
Angle of View (O)	65.05° ~ 2.61°					
Shutter	Auto/Manual; shutter time: 1 ~ 1/100000s					
Minimum Illumination	Colour: 0.001Lux (F1.5, AGC ON) 0Lux with IR					
Iris	Auto!; F1.5 ~ F4.0					
Day/Night	IR-cut filter with auto switch (ICR)					
Digital noise reduction	2D/3D DNR					
S/N	>52dB					
IR Range	Up to 150m (492ft)					
Defog	Digital Defog					
WDR	120dB					
Video						
Video Compression	Ultra 265, H.265, H.264, MJPEG					
H.264 code profile	Baseline profile, Main Profile, High Profile					
Frame Rate	Main Stream: 2MP (1920*1080), Max 60fps; Sub Stream: 2MP (1920*1080), Max 60fps; Third Stream: D1 (720*576), Max 60fps					
HLC	Supported					
BLC	Supported					
EIS	Supported					

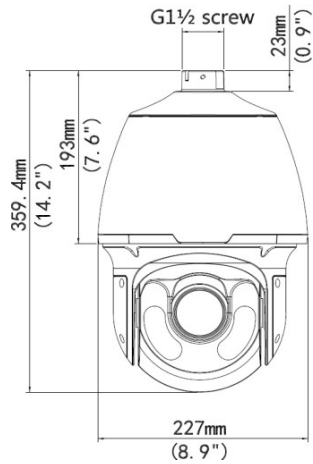


OSD	Up to 8 OSDs
Privacy Mask	Up to 24 areas
ROI	Up to 8 areas
Motion Detection	Up to 4 areas
<b>Smart</b>	
General Function	Watermark, IP Address Filtering, Tampering Alarm, Alarm input, Alarm output, Access Policy, ARP Protection, RTSP Authentication, User Authentication
<b>Audio</b>	
Audio Compression	G.711
Two-way audio	Supported
Suppression	Supported
Sampling Rate	8KHZ
<b>Storage</b>	
Edge Storage	Micro SD, up to 256GB
Network Storage	ANR
<b>Network</b>	
Protocols	IPv4, IGMP, ICMP, ARP, TCP, UDP, DHCP, PPPoE, RTP, RTSP, RTCP, DNS, DDNS, NTP, FTP, UPnP, HTTP, HTTPS, SMTP, 802.1x, SNMP, QoS, RTMP
Compatible Integration	ONVIF (Profile S, Profile G, Profile T), API
<b>Pan &amp; Tilt</b>	
Pan Range	360° (endless)
Pan Speed	0.1°/s ~ 240°/s
	Preset speed: 300°/s
Tilt Range	-15° ~ 90° (auto reverse)
Tilt Speed	0.1° ~ 160°/s
	Preset speed: 240°/s
Number of Presets	1024
Patrol	Up to 16 patrols, up to 32 presets per patrol <i>Note: The total number of patrols and patterns is 16.</i>
<b>Interface</b>	
Audio I/O	Audio cable
	Input: impedance 35kΩ; amplitude 2V [p-p]
	Output: impedance 600Ω; amplitude 2V [p-p]
Alarm I/O	1/1
Network	1RJ45 10M/100M Base-TX Ethernet



General		
Power	AC 24V±25%, DC 24V±25%	AC 24V±25%, DC 24V±25%, PoE (PSE Required)
	Power consumption: Max 44W	
Dimensions (Ø x H)	Ø227 x 359.4mm (Ø8.9" x 14.2")	
Weight	5.28kg (11.6lb)	
Working Environment	-40°C ~ 65°C (-40°F ~ 149°F), Humidity: ≤95% RH (non-condensing)	
Ingress Protection	IP66	
Vandal Resistant	IK10	

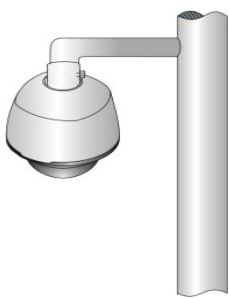
## Dimensions



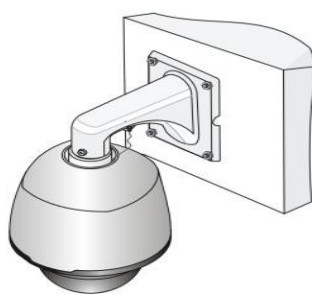
## Installation



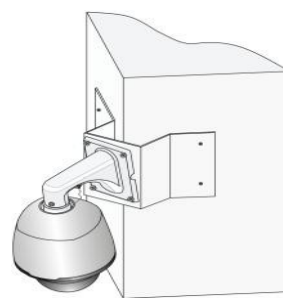
Pendant mount



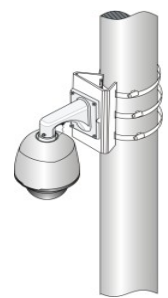
Standing pole mount



Wall mount



Corner mount



Pole mount

