

## Network Video Recorder

SECNVR16C0P4K2S



### Key Features

- Support Ultra265/H.265/H.264 video formats
- 16-channel input
- Third-party IP cameras supported with ONVIF conformance: Profile S, Profile G, Profile T
- HDMI and VGA simultaneous output
- Up to 8 Megapixels resolution recording
- 2 SATA HDDs, up to 6TB for each HDD
- ANR technology to enhance the storage reliability when the network is disconnected
- Support cloud upgrade



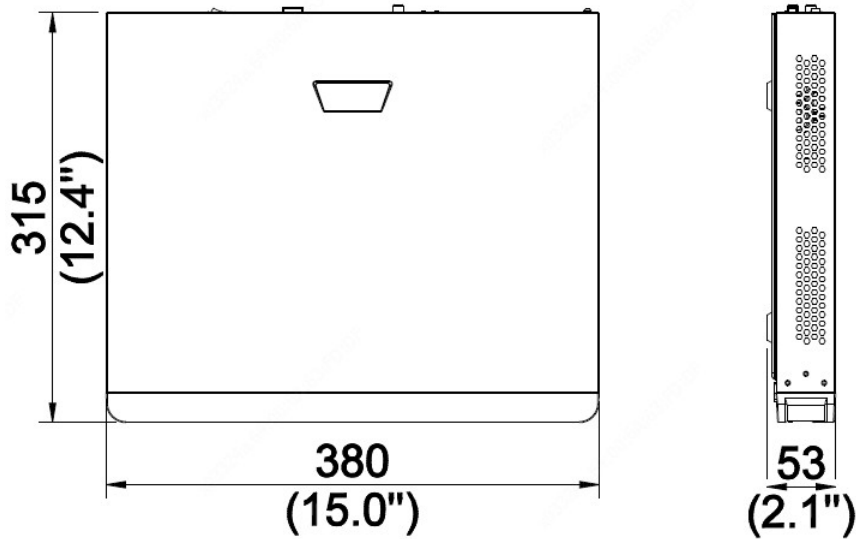
## Specifications

<b>Model</b>	<b>SECNVR16C0P4K2S</b>
<b>Video/Audio Input</b>	
IP Video Input	16-ch
Two-way Audio Input	1-ch, RCA
<b>Network</b>	
Incoming bandwidth	160Mbps
Outgoing bandwidth	64Mbps
Remote Users	128
Protocols	P2P, UPnP, NTP, DHCP, PP PoE
<b>Video/Audio Output</b>	
HDMI/VGA Output	HDMI: 4K (3840x2160)@30, 1920x1080p@60, 1920x1080p@50, 1600x1200@60, 1280x1024@60, 1280x720@60, 1024 x76 8@60 VGA: 1920x1080p@60, 1920x1080p@50, 1280x1024@60, 1280x720@60, 1024x768@60
Audio Output	1-ch, RCA
Recording Resolution	8MP/6MP/5MP/4MP/3MP/1080p/960p/720p/D1/2CIF/CIF
Synchronous Playback	16-ch
Corridor Mode Screen	3/4/5/7/9/10/12/16
<b>Decoding</b>	
Decoding format	Ultra265/H.265/H.264
Live view/Playback	8MP/6MP/5MP/4MP/3MP/1080p/960p/720p/D1/2CIF/CIF
Capability	2 x 4K@30, 3 x 5MP@30, 4 x 4MP@30, 5 x 3MP@30, 8 x 1080p@30, 16 x 720p@30
<b>Hard Disk</b>	
SATA	2 SATA interfaces
Capacity	up to 6TB for each disk



External Interface	
Network Interface	2 RJ-45 10M/100M/1000M self-adaptive Ethernet Interface
USB Interface	Rear panel: 1 x USB2.0, 1 x USB3.0 Front panel: 1 x USB2.0
General	
Power Supply	12V DC Power Consumption: ≤ 15 W (without HDD)
Working Environment	-10°C~+ 55°C (+14°F~+131°F), Humidity ≤ 90% RH (non-condensing)
Dimensions (W×D×H)	380mm × 315mm ×53mm (15.0" × 12.4" ×2.1")
Weight (without HDD)	≤ 0.98Kg (2.16lb)

## Dimensions



## Rear Panel

